

# Instructions for Raytech's Versalume Ultraviolet Lamps

## TO REPLACE TUBE:

Open the tube cover by inserting the key provided into the slot on either side of the lamp. With the key positioned in the slot, twist the key until the tube cover snaps open (see illustration). When replacing the tube always hold the tube at the metal ends, not the glass. Rotate the tube halfway (90°) to the left or right and remove. Be careful not to touch the shiny surface of the reflector. Insert the new tube and turn 90° to secure. When replacing new tube, please note that the rippled or rough half (longwave) of the filter is placed over the "frosted" half of the tube and the smooth half {shortwave} of the filter is placed over the clear half of the tube respectively. This is correct on combination models only. Replace tube cover by aligning the tabs into the slots and snap into position. If lamp does not light, make sure the tube is seated and charged batteries are installed properly.

## TO INSTALL BATTERIES:

To open the battery cover, insert your index finger into the notch located at the end of the battery cover (see illustration). Press tab firmly in the direction of the on/off switch and lift off cover. Insert four (4) "AA" batteries. Position polarity as noted on the battery diagram located in the battery compartment, then replace cover. Alkaline batteries are recommended for the best lamp service. Remove batteries from light prior to prolonged storage to avoid any damage to the lamp as the batteries may leak.

## CAUTIONS:

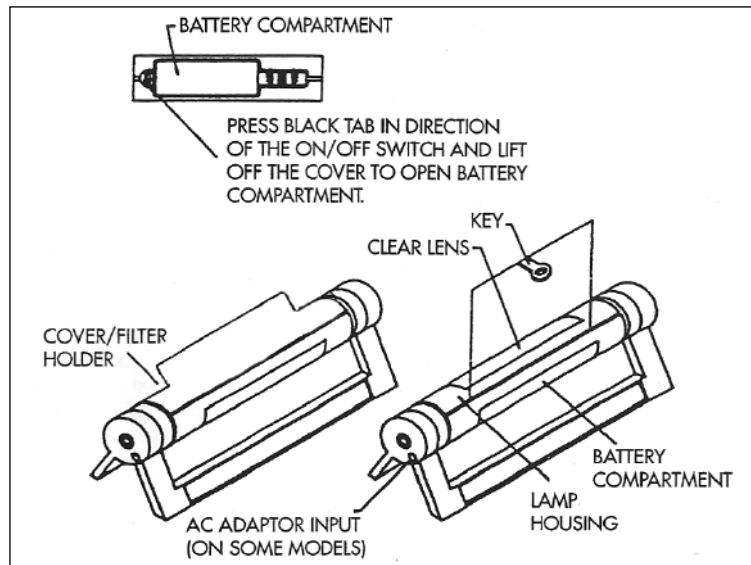
1. NOTE THAT SHORTWAVE EMITS ULTRAVIOLET RADIATION, WHICH CAN CAUSE SEVERE DAMAGE TO UNPROTECTED EYES AND SKIN. MAKE SURE PROTECTIVE EYE/FACE WEAR ARE BEING WORN AS WELL AS ADEQUATE CLOTHING TO PROTECT EXPOSED SKIN SURFACES. MODELS EMITTING LONGWAVE ALSO KNOWN AS "BLACKLIGHT", ARE CONSIDERED SAFE AND REQUIRE NO SPECIAL PRECAUTIONS.
2. Some Versalume models are equipped with an AC adapter for use on 110V, 60 cycle or 220/230V, 50 cycle operation. BATTERIES NEED NOT BE REMOVED WHEN USING AN AC ADAPTER.

### REPLACEMENT TUBES:

<b>MODEL:</b>	<b>PART NO:</b>
PPFLS-LW /SW	11-062
PPFS,MFS-SW	11-053
PHILATELIC SW	11-053
PPFL-LW	11-070

<b>AC ADAPTER:</b>	
110V, 60 Cycle	05081
220/230V, 50 Cycle	05093



If you have any further questions or have a problem with your lamp and need to return it, please contact Raytech Customer Service for a Return Material Authorization (RMA) at 1-800-243-7163 Monday through Friday 8:00 AM - 4:30 PM Eastern Time. Warranty is 1 year from date of purchase.



**Raytech Industries**

*A Division of Lyman Products*

475 Smith Street, Middletown, CT 06457

Tel (860) 632-2020 Fax (860) 632-1699

Visit us on the web @ [www.raytech-ind.com](http://www.raytech-ind.com)

